

DSEULTRA® STARTING WITH QUALITY.



DSE701 & DSE702 AUTO & MANUAL START CONTROL MODULES

DSE701



DSE702



The DSE701 is a Manual/Auto Start Control Module that offers an excellent range of engine monitoring and protection features.

The module has been designed to monitor low oil pressure, high engine temperature, over speed and a user defined auxiliary input.

It also has the capability to monitor battery charging by utilising the WL terminal on the charge alternator. When the module detects a fault condition it automatically shuts down the engine.

The DSE702 is a Manual/Auto Start Control Module that includes all the features of the DSE701 plus a tamper proof engine hours counter.

Both modules include a remote start signal input. This input allows the module to be started from a pre-defined remote location.

FEATURES


- Manual start
- Engine pre-heat
- Engine monitoring and protection features
- Protected solid state (PSS) outputs
- Front panel mounting
- Tamper proof engine hours counter
- Remote start
- LED indicators

BENEFITS

- Hours counter provides accurate information for monitoring maintenance and warranty periods
- Multiple engine parameters are monitored simultaneously


OPERATION

MANUAL MODE

- The module is started using the on-board key/buttons
- The user turns the key to the  position
- The engine pre-heat button is then pressed for the required time

- The start button is then pressed to start the engine
- To stop the engine the key needs to be turned to the off position

AUTOMATIC MODE

- The key needs to be permanently left in the  position
- The module is powered up by the remote start signal
- The pre-heat function is automatically carried out and then the engine is started
- To stop the engine the remote switch is turned to the 'off' position

OVERSPEED PROTECTION

The engine over speed trip setting can be calibrated at the rear of the module for 50Hz or 60Hz nominal operation (57Hz or 68Hz trip respectively).

During engine cranking and for the first 10 seconds after the engine starts running, all alarm conditions are suspended to allow the engine to reach its optimum running speed.

SPECIFICATION

DC SUPPLY

8V to 35V continuous

CRANKING DROPOUTS

Able to survive 0V for 50mS, providing supply was at least 10V before dropout and supply recovers to 5V. This is achieved without the need for internal batteries.

ALTERNATOR INPUT FREQUENCY

50Hz – 60Hz at rated engine speed (minimum:75V Overspeed: nominal frequency +14% (+24% overshoot)

ALTERNATOR INPUT RANGE

15-305 V AC RMS (+20%)

START OUTPUT

Solid state 1.2A negative grounding

RUN OUTPUT

Solid state 1.2A negative grounding terminal

PRE-HEAT OUTPUT

Solid state 1.2A negative grounding terminal

DSE701 DIMENSIONS

72mm x 72mm x 38mm
2.8" x 2.8" x 1.5"
Excludes key switch

DSE701 CUT OUT

68mm x 68mm
2.7" x 2.7"

DSE702 DIMENSIONS

84mm x 72mm x 34.9mm
3.3" x 2.8" x 1.4"
Excludes key switch

DSE702 CUT OUT

80mm x 68mm
3.1" x 2.7"

ENVIRONMENTAL TESTING STANDARDS

ELECTRO MAGNETIC CAPABILITY (EMC)

BS EN 61000-6-4
EMC Generic Emission Standard for the Industrial Environment
BS EN 61000-6-2
EMC Generic Immunity Standard for the Industrial Environment

ELECTRICAL SAFETY

BS EN 60950
Safety of Information Technology Equipment including Electrical Business Equipment

TEMPERATURE

BS EN 60068-2-2
Test Ab to 70°C
Test Ab to -30°C

VIBRATION

BS EN 60068-2-6
Ten sweeps in each of the three major axes
5Hz to 8Hz @ +/- 7.5mm

HUMIDITY

BS EN 60068-2-30
Test Db 95% RH @ 55°C for 12 hours

SHOCK

BS EN 60068-2-27
Three shocks in each of three major axes
15gn in 11ms

DEEP SEA ELECTRONICS PLC

Highfield House
Hunmanby Industrial Estate
Hunmanby, North Yorkshire
YO14 0PH England

TELEPHONE

+44 (0)1723 890099

FACSIMILE

+44 (0)1723 893303

EMAIL

sales@deepseapl.com

WEBSITE

www.deepseapl.com

Registered in England & Wales No.01319649

VAT No.316923457

DEEP SEA ELECTRONICS PLC THAILAND

TPI Tower, Lobby 3
Floor 27, 26-56 Chan New Road
Tungmahamek, Sathom
Bangkok 10120, Thailand

TELEPHONE

+66 (0) 2678 3028

FACSIMILE

+66 (0) 2670 6228

EMAIL

sales@dseplc.com

WEBSITE

www.deepseapl.com

DEEP SEA ELECTRONICS INC USA

3230 Williams Avenue
Rockford
IL 61101-2668 USA

TELEPHONE

+1 (815) 316 8706

FACSIMILE

+1 (815) 316 8708

EMAIL

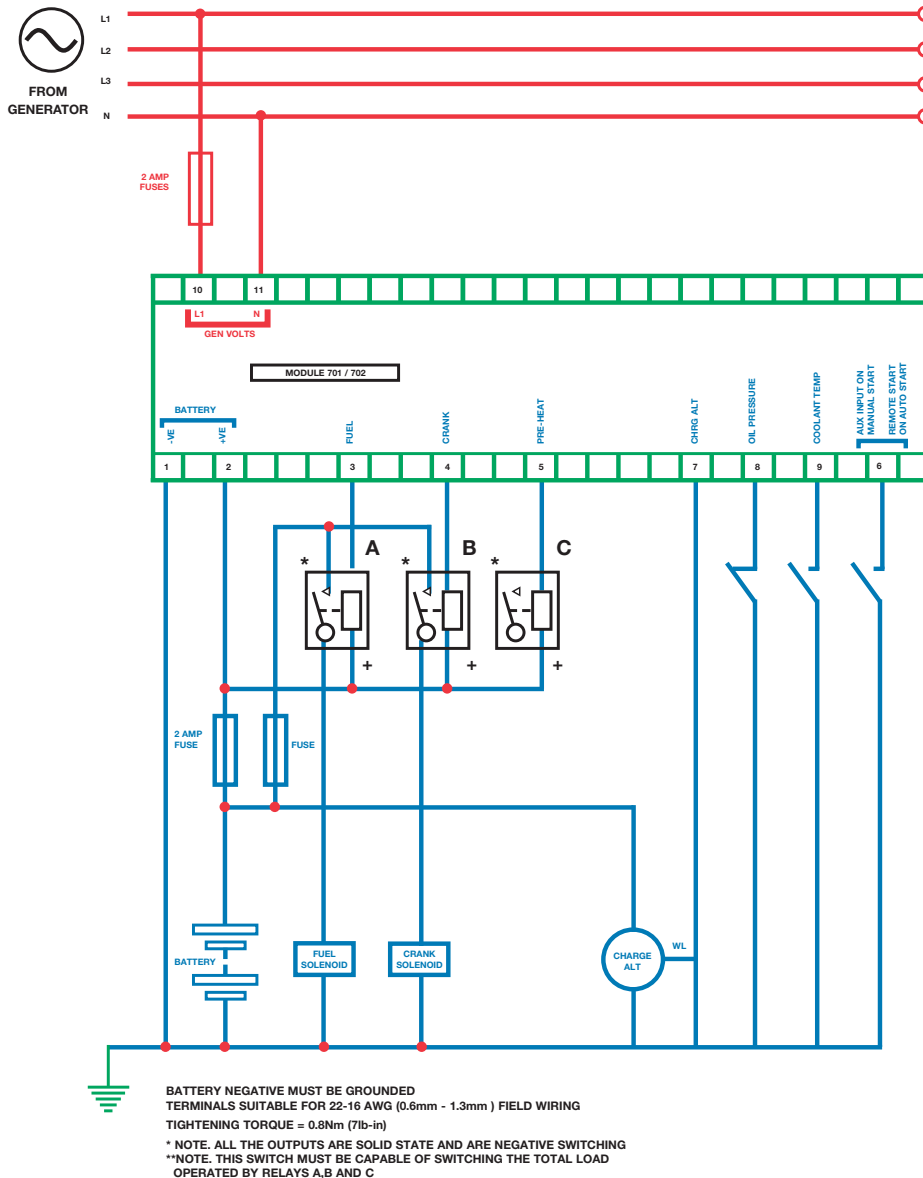
sales@deepseausa.com

WEBSITE

www.deepseausa.com



DSE701 & DSE702

**RELATED MATERIALS**

TITLE	PART NO'S
DSE701/702NK Installation Instructions	053-002
DSE701/702K Installation Instructions	053-003
DSE701/702 Manual Key Installation Instructions	053-016

DEEP SEA ELECTRONICS PLC maintains a policy of continuous development and reserves the right to change the details shown on this data sheet without prior notice. The contents are intended for guidance only.

This data sheet is printed on 9lives 55 Silk, which is produced with 55% recycled fibre from both pre and post-consumer sources, together with 45% virgin ECF fibre.

