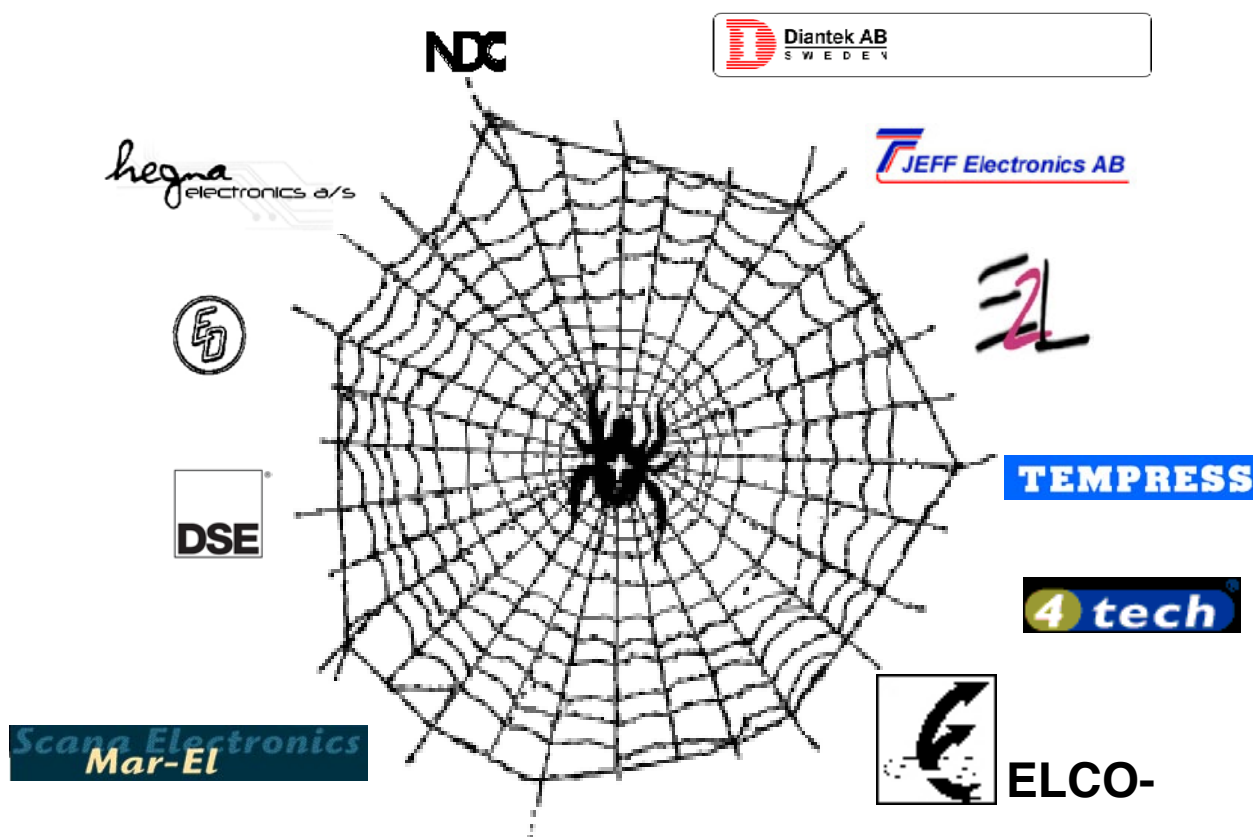


IMSAB COMPONENT GUIDE for industry and shipping



Operation alarm panel SOL2.104



COMBINED PANEL SOL2.104

manufacture DIANTEK



- **Memory and flashing light**
- **10 channel unit for both normally open and closed sensor contacts (No/Nc).**
- **Quick and easy installation.**
- **Individually programmable time delay**
- **Combined Panel can be programmed for operation or alarm.**
- **Alarm grouping in 2 categories (A-B alarms)**

DESIGN

Combined alarm SOL2.102.4 is a development and simplification of alarm panels. You can set all input for operation or alarm.

10 alarm channels, individually programmable, either as operation indication or as alarm channel.
 With memory and blink function.
 Combined alarm in 2 categories, A and B alarms
 Programmable for normally open or normally closed alarm contacts (No/Nc).
 Programmable time delay in 10 steps from 3 seconds to 300 seconds for each alarm input.
 Reset and light diode test on the module's front.

INSTALLATION

CHECKING OF SETTINGS

- Select the channel by pressing the "CHANNEL SELECTION" button.
 The channel diode then blinks quickly for a second.

The channel diode then shows the set time delay with a constant light for a second.

The priority diode "A" or "B" lights for a second, with a constant light, with normally open alarm contact, or with a blinking light, with normally closed alarm contact, or not at all, with operation indication.

With operation indication the channel diode blinks with a yellow light for a second and then with a constant yellow light for a second, (for normally open contacts (No)).

Return to operation setting

- Select channel "10" by pressing repeatedly (in steps) on the channel selection button and then press once more.

CHANGING THE SETTINGS (programming):

- Select the channel by pressing the "CHANNEL SELECTION" button.
 The channel diode then blinks quickly for a second.

- Press the "RESET" button until the channel diode goes out or, with operation indication, until the channel diode's blinking stops. (ca 3 seconds).



- Select "A" or "B" light priority, as well as normally open or normally closed alarm contact by repeatedly pressing the "RESET" button.

The priority diode "A" or "B" then shows a constant light, with normally open alarm contact, or a blinking light, with normally closed alarm contact, or no light, with a selection of operation indication.

With operation indication setting the channel diode shows a constant yellow light, (for normally open contacts (No) only).

- Select the time delay by pressing the "CHANNEL SELECTION" button.

The channel diode then shows the set time delay with a constant red light (see the table to the right).

- Press the "RESET" button repeatedly until the channel diode shows the delay (see the table to the right).

- Complete the changes by pressing the "CHANNEL SELECTION" button.

The selected priority and time delay or operation indication setting is then shown.

Select a new channel to program or return.

Return to operation setting:

- Select channel "10" by pressing repeatedly (in steps) on the channel selection button and then press once more.

NB.

After 2 minutes inactivity programming is stopped.

The panel then returns automatically to the operation setting.

SPECIFICATIONS

Supply voltage: 24V AC/DC -10%/+20%, (12V DC is also available on request)

Power usage: 2.4 VA

Time delay: individually programmable for each alarm channel - 1, 5, 10, 20, 30, 60, 120, 180, 240, 300 seconds.

Output contacts: One change-over contact per alarm group (A - B alarms). Selection device on each alarm point contact rated max 50V 5A resistive load.

Cable to alarm: 2 wires max 500m.

Current through the connected alarm contact 3mA.

Main dimension: 129x70x27 mm

Enclosure class: IP32.

Temperature range: -20/+50 C.

Front: Gray plastic cover.

Also fits a 19" rack

Enclosure for wall installation is available (OT).

SOL panels are CE marked

A development and simplification of alarm panels.

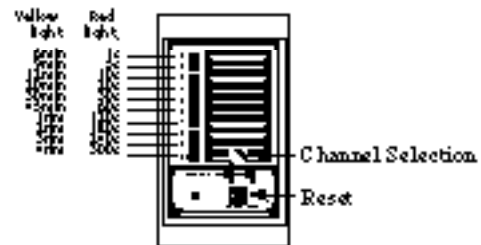
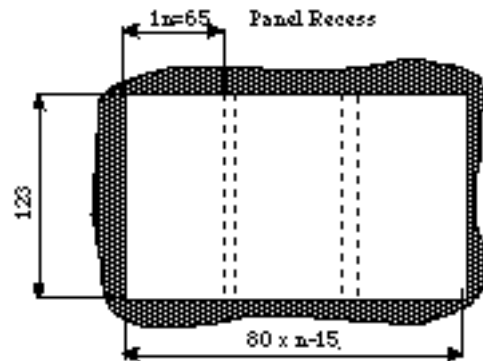
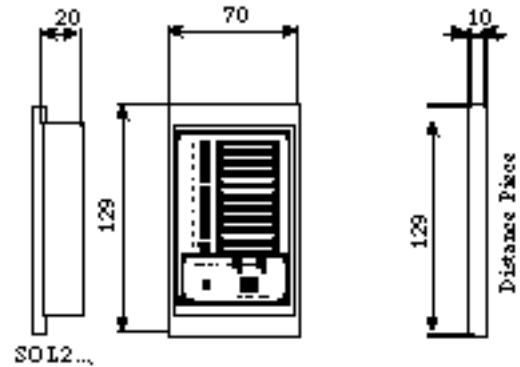
ORDERING INSTRUCTIONS

SOL2.102.4 Combination Panel

Extra accessories:

OT-751 Sealing

Dimensions



Electrical Connection

